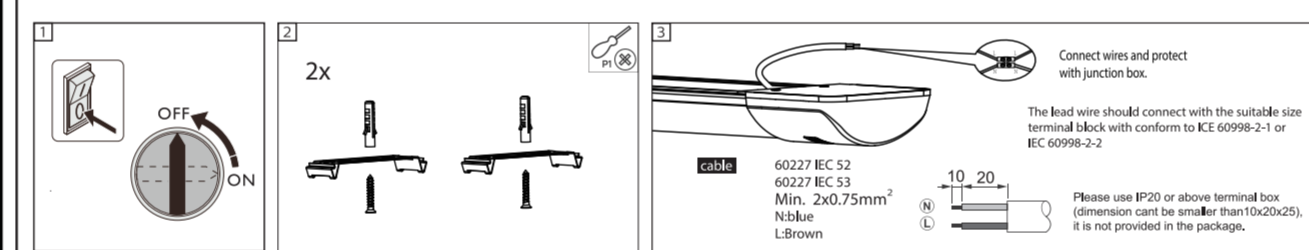
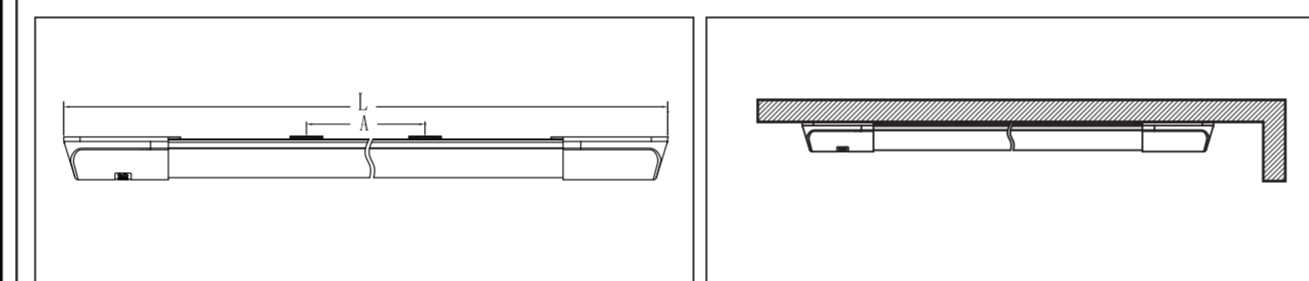
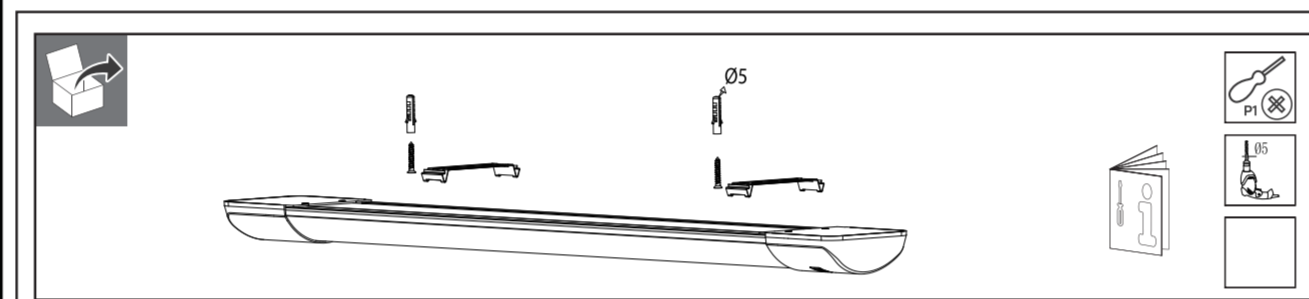
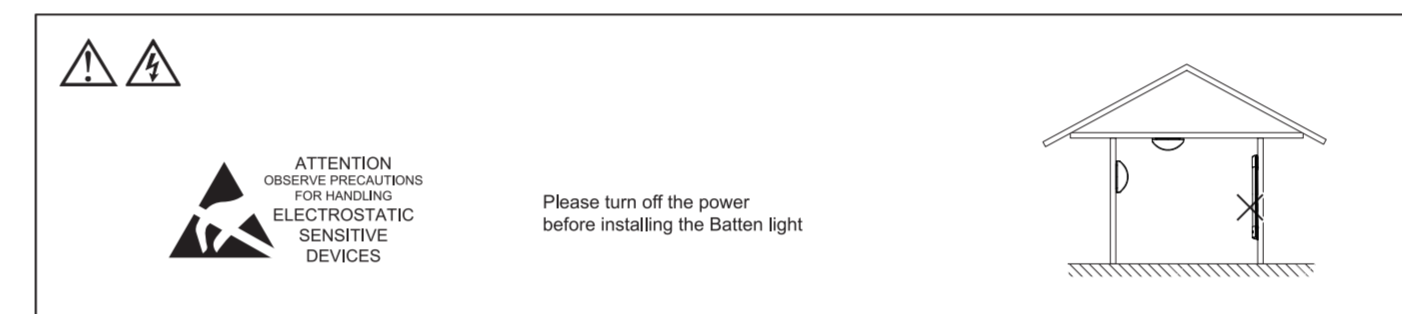
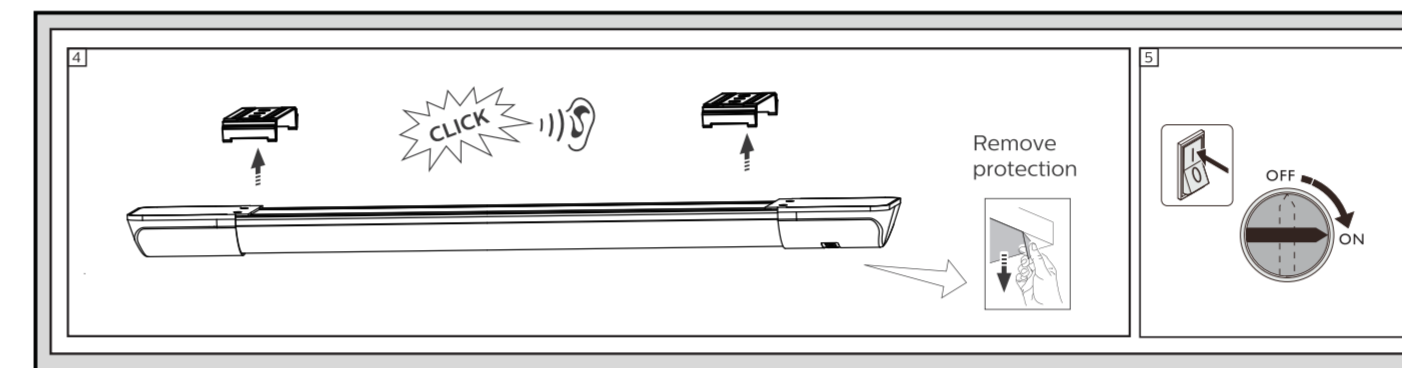


**paul russells®** LINEAR BATTEN LIGHT

Mounting Instruction



IP20 IK03 T<sub>a</sub> -20° to +40°C IEC 60598 CE UK CA



Indoor use only.  
Do not turn on the switch until the installation is completed.  
We recommend that the light fitting be installed by a qualified electrician.  
The light source of this fitting is not replaceable; when it reaches the end of its life, the entire fitting needs to be replaced.  
The external flexible cable of this fitting cannot be replaced. If the cable is damaged, the entire light fitting must be disposed of.  
Light fittings must not be used or stored in corrosive environments where hazardous materials such as sulphur, chlorine, phthalates, etc., are present.

This marking indicates that this product should not be disposed of with other household waste throughout the UK and EU. To prevent potential harm to the environment or human health from uncontrolled waste disposal, please recycle it responsibly to encourage sustainable reuse of material resources.

paul russells is the registered trade mark of Barkley Trading London Ltd

[www.paulrussells.com](http://www.paulrussells.com)